

MAIN HOUSE

TRANSIENT PROTECTION DESIGN  
Crestron Overview

GUEST HOUSE

FOR CONSTRUCTION



4311 William Penn Hwy  
Mifflintown, PA 17059

888-281-7856  
717-436-2869

www.tpdurge.com

Call for Design  
Information or  
U =



CLIENT  
RESIDENCE  
CITY  
STATE

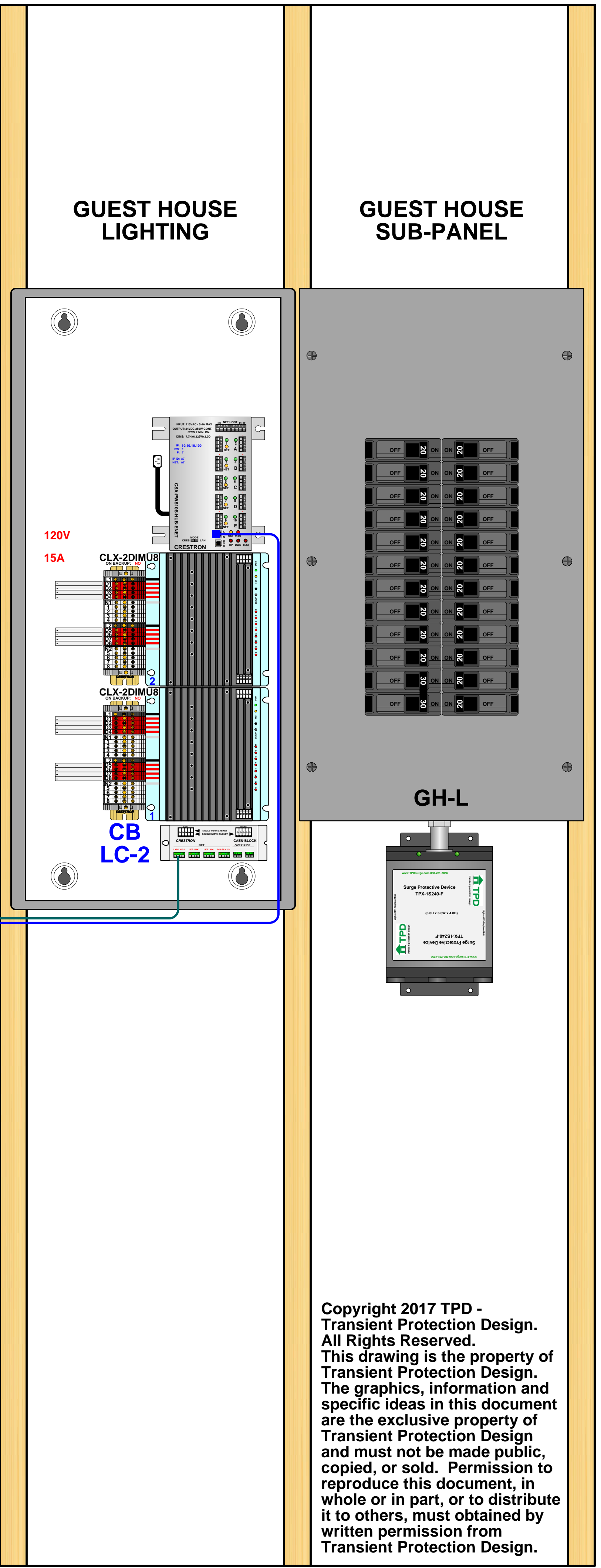
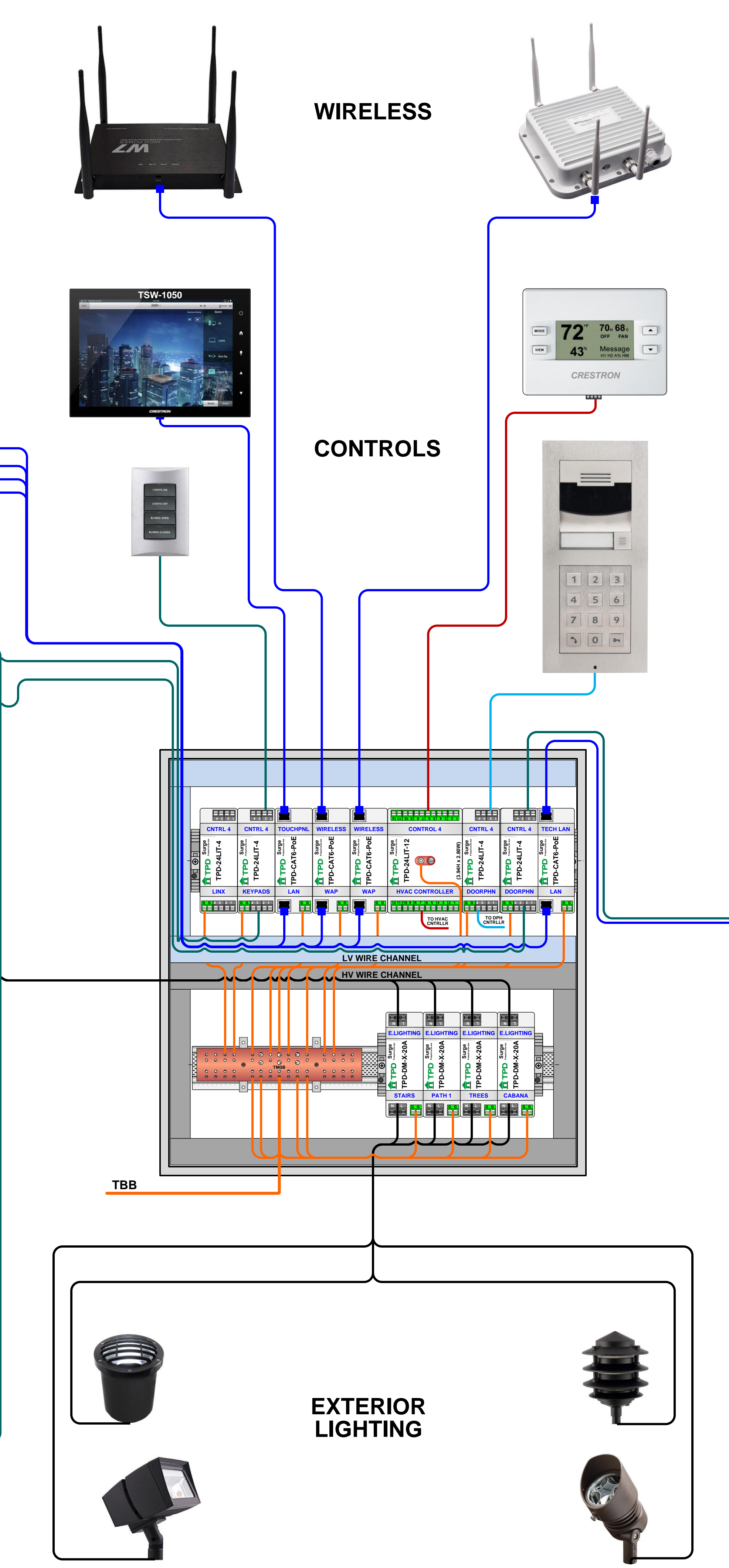
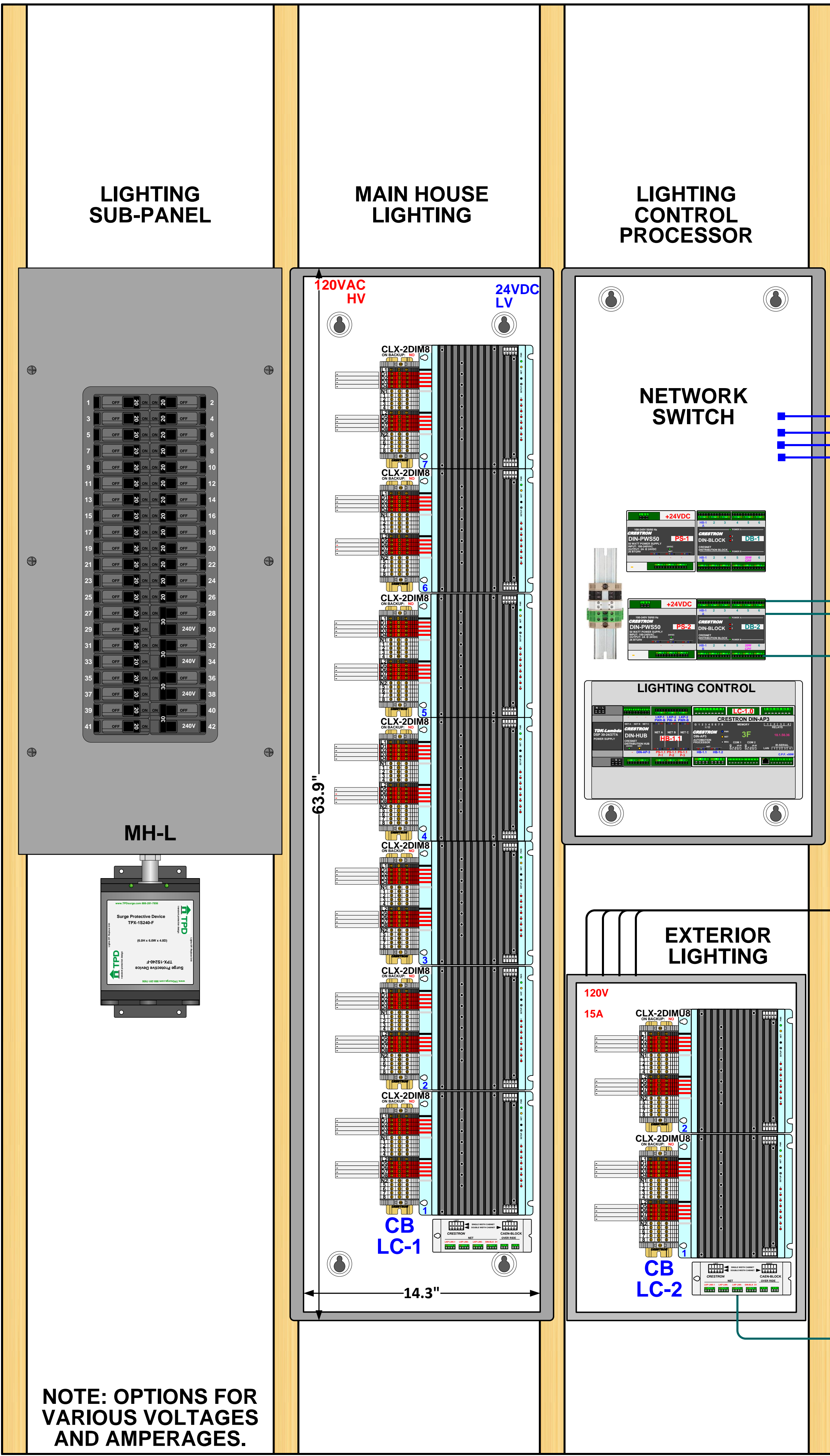
SMART HOME  
TECHNOLOGY  
DESIGN  
4K DIGITAL MEDIA  
HOME THEATER  
COMMUNICATIONS  
ENTERPRISE LAN  
SECURITY / CCTV  
HVAC CONTROL  
SHADE CONTROL  
LIGHTING CONTROL  
POWER ISOLATION  
POWER MONITORING

CRESTRON  
SURGE  
PROTECTION  
OVERVIEW

Copyright 2017 TPD -  
Transient Protection Design.  
All Rights Reserved.  
This drawing is the property of  
Transient Protection Design.  
The graphics, information and  
specific ideas in this document  
are the exclusive property of  
Transient Protection Design  
and must not be made public,  
copied, or sold. Permission to  
reproduce this document, in  
whole or in part, or to distribute  
it to others, must be obtained by  
written permission from  
Transient Protection Design.

SCALE: .25 in = 1.0 ft.  
DATE: 08.16.2016

X-1.10



NOTE: OPTIONS FOR  
VARIOUS VOLTAGES  
AND AMPERAGES.