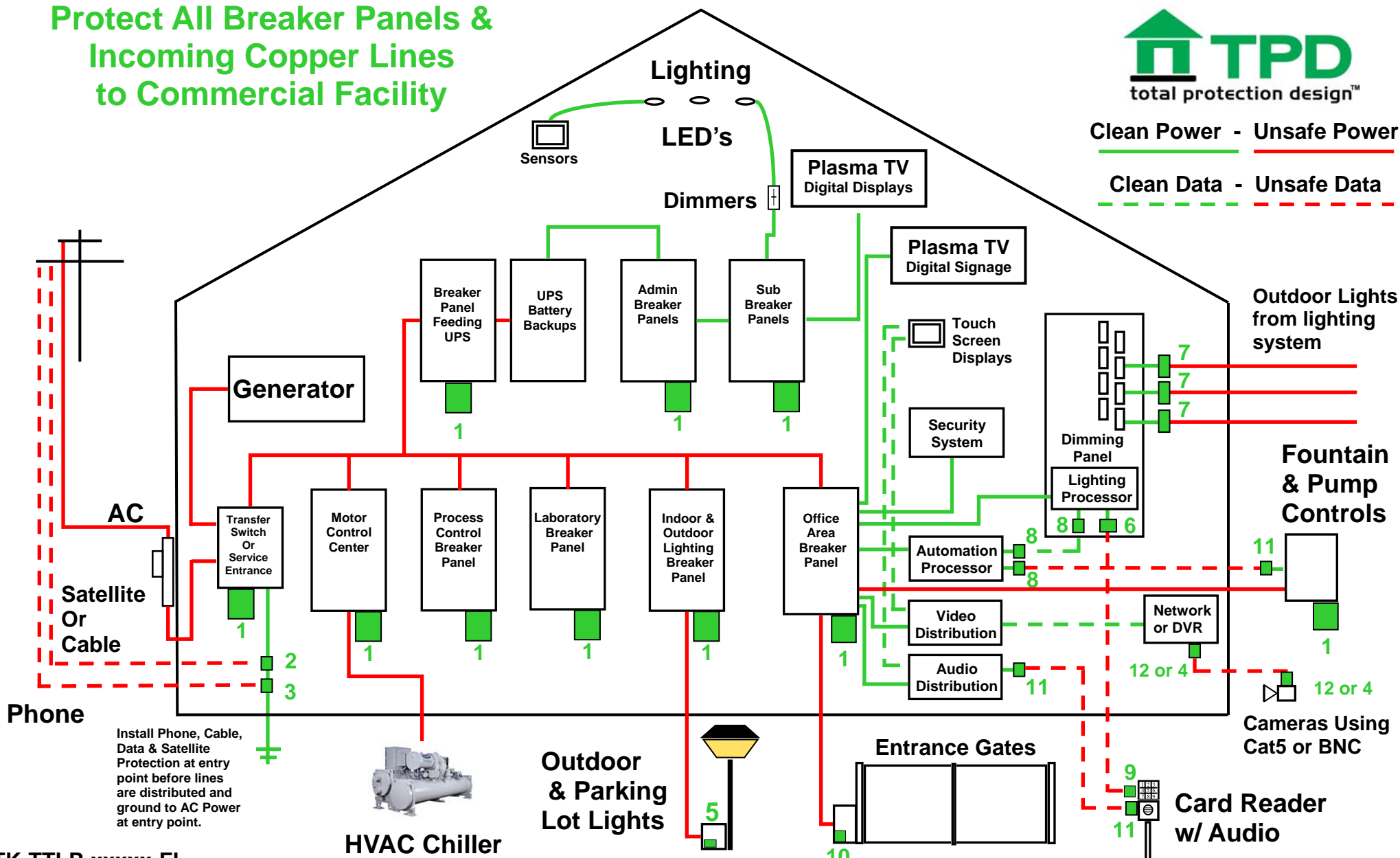


Protect All Breaker Panels & Incoming Copper Lines to Commercial Facility



Clean Power - Unsafe Power

Clean Data - Unsafe Data



Install Phone, Cable, Data & Satellite Protection at entry point before lines are distributed and ground to AC Power at entry point.

- | | | | | | | | | | | | |
|-----------------------|--------------|-------------|-------------|-----------|-------------------|----------|----------|-------------------|-------------|---------------|-----------|
| 1 | 2 | 3 | 4 | 5 | 6 | 7 | 8 | 9 | 10 | 11 | 12 |
| | | | | | | | | | | | |
| TPD-SAT2 or TPD-CABLE | TK-CT2-PHONE | TPD-CAM-BNC | TPD-LPP-xxx | TPD-LIT24 | TK-LT120-20A-DIN2 | TPD-DB9 | TPD-LIT4 | TK-RK080S-1S240-L | TPD-xxSLPxx | TPD-CAT5e-POE | |
- Available To Order Image Coming Soon