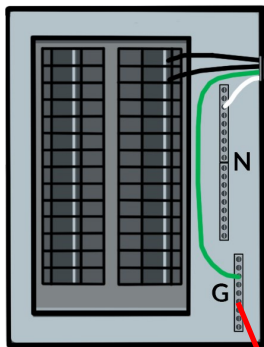


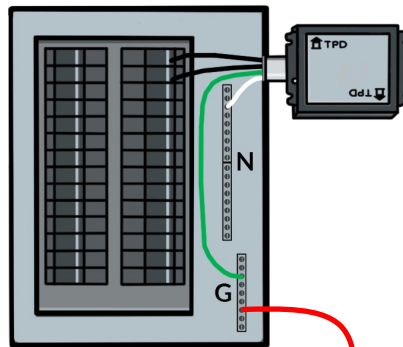
Surge Protect Outdoor Speaker Pathways

This page discusses surge protecting outdoor speaker pathways and how to ground the surge protector.

Example 1



Example 2

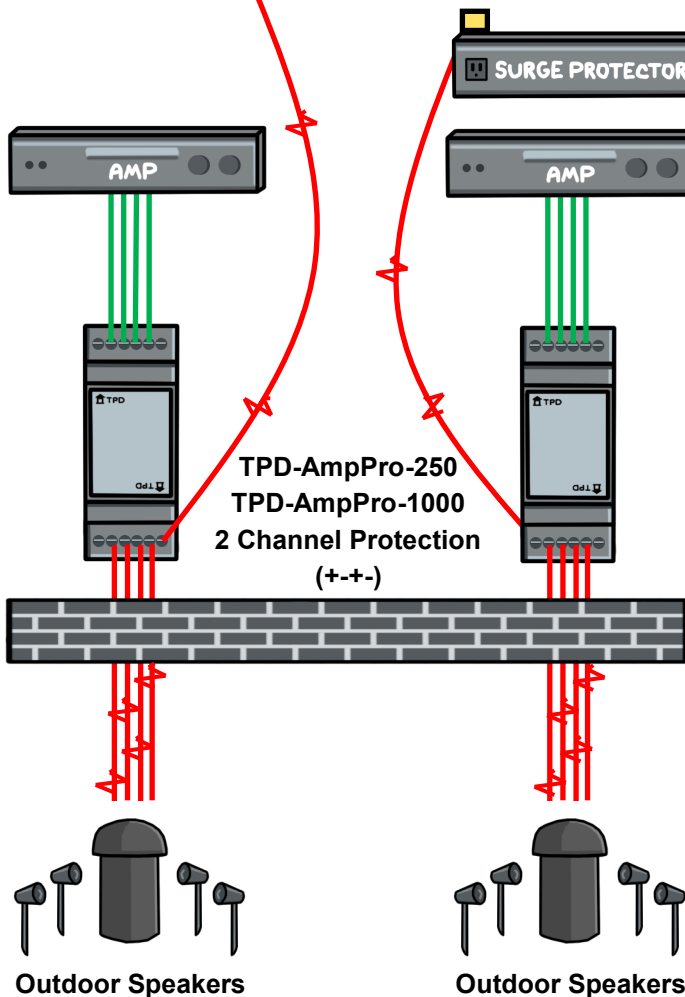


Example 1

Ground surge protector to electrical breaker panel. A dedicated ground wire just for the surge protection is recommended.

Example 2

If a dedicated ground wire is not available, the only potential ground wire connections will be at an electrical outlet. For best installation, a local surge protector with a grounding terminal on the back will suffice. This will allow for a mechanical connection from the TPD-AmpPro surge protector back to the breaker panel ground via the equipment ground wire in the outlet. Most rack mounted surge protectors have this ground connection.



Note: Additional surge protection at the breaker panel feeding the rack will limit ground potentials originating from the breaker panel and mitigating its way to equipment level.

Call Technical Support at [717-436-2856](tel:717-436-2856) or email info@tpdsurge.com
www.TransientProtectionDesign.com