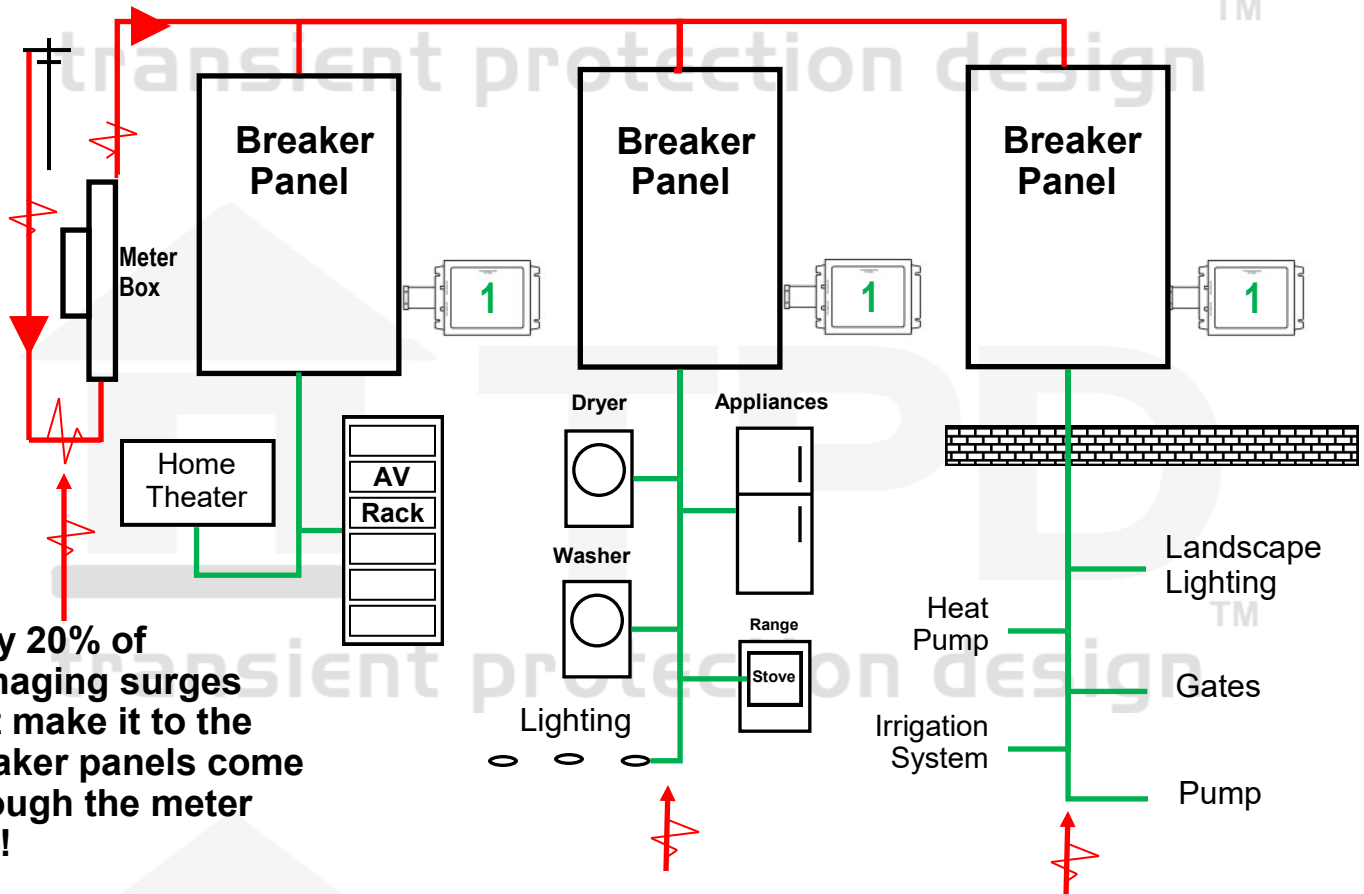


# Surge Protection For Breaker Panels

Filter and protect power at each breaker panel from externally and internally generated surges.

**Around 80% of damaging surges at the breaker panel are generated by the loads within the breaker panel.**



**Only 20% of damaging surges that make it to the breaker panels come through the meter box!**

## Transient Protection Design

**#1** TPX-3Y208-F sample model. See product pages for a complete list of sizes, voltages, warranties and options.

**Around 80% of damaging surges at the breaker panel are generated by electronic loads within the panel!**

**Some breaker panels have high exposure due to copper paths that go outside.**