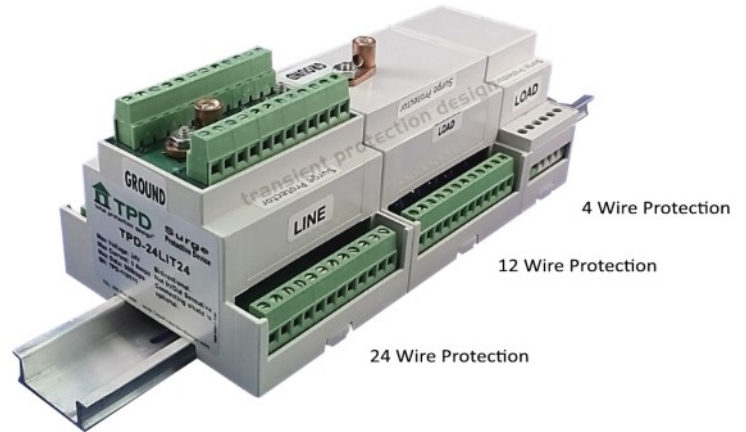


Surge protect incoming and outgoing data, communication and power supply lines from harmful transient voltages and ground potentials reducing lockups, glitches, reprogramming issues and lightning damage.

Improve power quality for your sophisticated electronic loads. **Rebooting, reprogramming and replacing processors, circuit boards and components** can be a never-ending battle. **Problems** in the system are as simple as occasional glitches locking up or turning on and off equipment without user input to **wide spread damage during a severe lightning storm**. TPD-LIT series eliminates damaging pulses traveling in on low voltage pathways protecting lighting systems, drive way probes and 4-20mA current loops etc. These pulses of energy are distributed throughout the system if left unprotected. The problems will vary depending upon the size and frequency of these pulses. As microprocessors try to function, these transient pulses of energy will cause lock-ups where data can become lost or corrupted. **Larger pulses will cause catastrophic failure while smaller pulses degrade the life and reliability of these systems and controls.**



**Protect 24V or 36V Power Supplies  
Control Wires under 500kbps  
Automation & Lighting Systems**

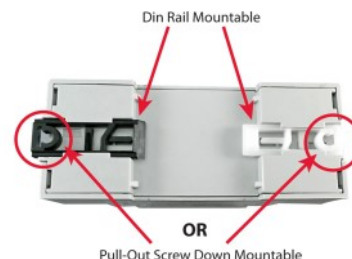
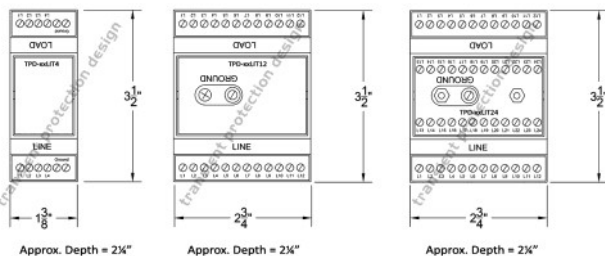
**SPECIFICATIONS**

- Maximum Rated Surge Current:** 6kA per pair
- Applications:** RS232, RS422/423/485 data and signal lines, Protect low voltage side of lighting processor (24 & 36 volt systems)
- Operating Voltage TPD-24LIT:** 5 to 24 volt
- Operating Voltage TPD-36LIT:** 25 to 48 volt
- Max Amperage:** 5 Amps per wire
- Warranty:** 10-Year Unlimited Free Replacement
- Strength:** 6kA per pair; 3kA per wire
- Mode of Protection:** Line-line and line-ground.
- Response Time:** < 1 nanosecond
- Number of Protected Wires:** All wires
- Series Resistance:** <0.1 ohm
- Dimensions Case A:** 3.94"H x 1.40"W x 2.28"D
- Dimensions Case B:** 3.94"H x 2.80"W x 2.28"D
- Enclosure Type:** High-impact, non-metallic UL 94-5V flame resistant rated
- Connection Method:** Screw terminal connector; #12-30 AWG
- Mounting Method:** All units can be screw down or Din-Rail mounted.
- Operating Temperature:** -40° C to 85° C (-40° F to 185° F)
- Weight:** 0.50 lbs.—0.75 lbs. (0.23 kg—0.34 kg) depending on number of circuits.

**LIT PERFORMANCE SPECIFICATIONS**

| Model Number | Number Of Wires | System Voltage             | Max Data Rate | Max Amperage Per Wire |
|--------------|-----------------|----------------------------|---------------|-----------------------|
| TPD-24LIT24  | 24 Wire         | 5 - 30 VAC<br>5 - 42 VDC   | 500kbps       | 5 Amps                |
| TPD-24LIT12  | 12 Wire         | 5 - 30 VAC<br>5 - 42 VDC   | 500kbps       | 5 Amps                |
| TPD-24LIT4   | 4 Wire          | 5 - 30 VAC<br>5 - 42 VDC   | 500kbps       | 5 Amps                |
| TPD-36LIT24  | 4 Wire          | 24 - 55 VAC<br>24 - 77 VDC | 500kbps       | 5 Amps                |
| TPD-36LIT12  | 12 Wire         | 24 - 55 VAC<br>24 - 77 VDC | 500kbps       | 5 Amps                |
| TPD-36LIT4   | 4 Wire          | 24 - 55 VAC<br>24 - 77 VDC | 500kbps       | 5 Amps                |

Specifications subject to change without notice, see web site [www.TPDSurge.com](http://www.TPDSurge.com) or latest revisions.



Transient Protection Design,  
4311 William Penn Highway, Mifflintown, PA 17059  
Call Technical Support at 717-436-2856 or visit us at  
[www.TransientProtectionDesign.com](http://www.TransientProtectionDesign.com)

**Tech Note:** For installation techniques please refer to installation manual.