

SYSTEM FEATURES



- Provides surge protection against harmful transient voltages that exceed the nominal operating voltage of AC and DC critical dedicated control loads
- Ideal for protecting the PLC's, Building management systems, OEM & systems integration controls and other microprocessor-based loads
- Compact, fail-safe design allows flexible installation into electrical/control panels
- Dual Component-Level Fusing (CLF) standard
- Enhanced Transient Filter (ETF) standard
- 15-year Unlimited Free Replacement Warranty
- Reduce lockups, glitches and reprogramming issues

PRODUCT SPECIFICATIONS

GENERAL SPECIFICATIONS

Maximum Rated Surge Current: 20kA per phase
Application: ANSI.IEEE C62.41 Location C, B & A
Design: Ultra compact, fail-safe design with dual component-level fusing
Warranty: 15-Year Unlimited Free Replacement
Safety Listing: ETL recognized component under UL 1449 3rd Edition as a type 4 SPD, cETL, and under UL 1283 as an electromagnetic filter.

ELECTRICAL SPECIFICATIONS

Input Power Frequency: 47-64Hz
Maximum Continuous Operating Current: 30 amps
Modes of Discrete Suppression Circuitry:
 All modes L-N, L-G & N-G
Response Time: < 1 nanosecond
Standard Monitoring: Status indicating light
Short Circuit Current Rating: 100kAIC short circuit current rating with a 30 amp max Class T fuse

MECHANICAL SPECIFICATIONS

Dimensions: 3.94"H x 1.40"W x 2.28"D
Enclosure: ABS Plastic UL94-5VA
Connection Method: Hard-wired via box terminals #16AWG - #8 AWG
Mounting Method: Screw down or Din-Rail mounted.
Operating Temperature: -40° C to 85° C (-40° F to 185° F)
Weight: 1.00 lbs. (0.45 kg)

LT PERFORMANCE SPECIFICATIONS

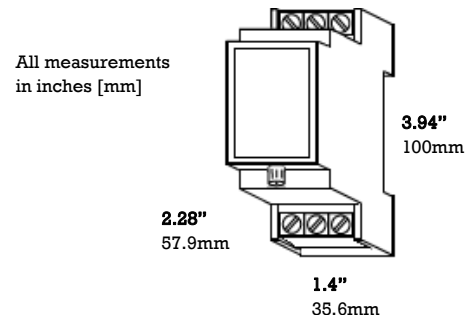
ANSI/IEEE C62.41.1-2002, C62.41.2-2002, & C62.45-2002 Measured Limited Voltage

Model Number (Working Voltage)	Mode	A1 Ring Wave	A3 Ring Wave	B3/C1
		2kV, 67A 180° Phase Angle	6kV, 200A 180° Phase Angle	Impulse Wave 6kV, 3kA 90° Phase Angle
TK-LT24-30A-DIN2 (5-30 VAC) (5-38 VDC)	L-N	44V	83V	152V
	L-G	75V	91V	173V
	N-G	50V	85V	173V
TK-LT48-30A-DIN2 (25-50 VAC) (24-65 VDC)	L-N	44V	115V	197V
	L-G	97V	145V	225V
	N-G	49V	117V	193V
TK-LT120-30A-DIN2 (48-150 VAC) (48-200 VDC)	L-N	47V	127V	438V
	L-G	92V	239V	496V
	N-G	47V	128V	470V
TK-LT250-30A-DIN2 (120-260 VAC) (120-300 VDC)	L-N	49V	130V	851V
	L-G	90V	234V	955V
	N-G	48V	130V	960V

All voltages are peak values (+10%) from the zero reference point at the phase angles referenced above using a 10 µs/div display rate and 500MS/s sampling rate. Specifications subject to change without notice, see web site www.tpsurge.com for latest revisions.

EMI/RFI FILTER ATTENUATION—MIL STANDARD 220B

Frequency	Attenuation
1kHz	1dB
10kHz	5dB
100kHz	29dB
1MHz	32dB
10MHz	8dB
20MHz	9dB



For Technical Support
 TEL: 800.647.1911
 www.TPDSurge.com
 info@TPDSurge.com